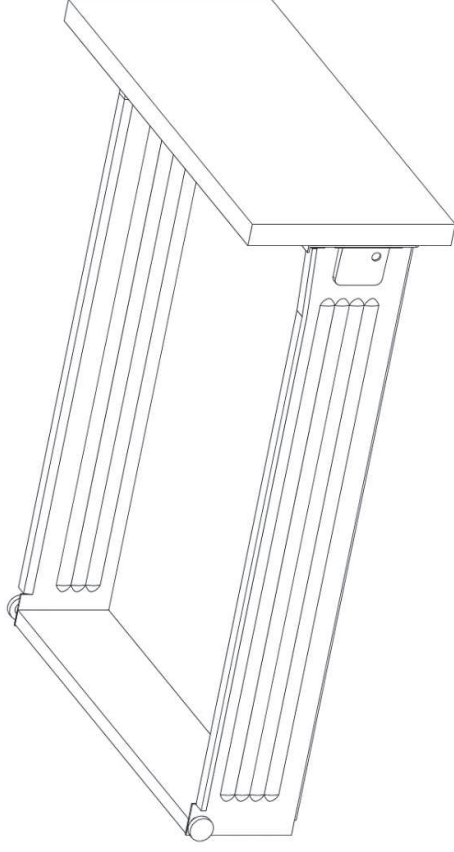
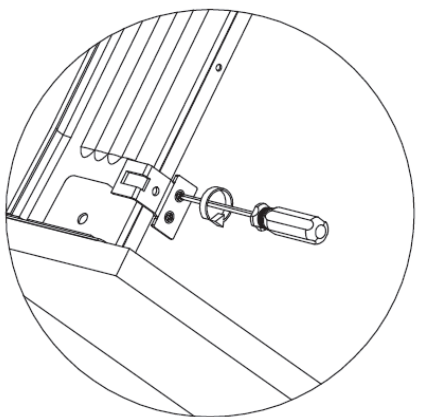
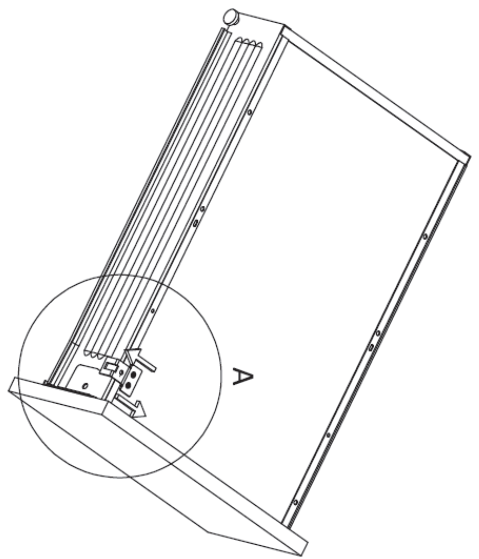
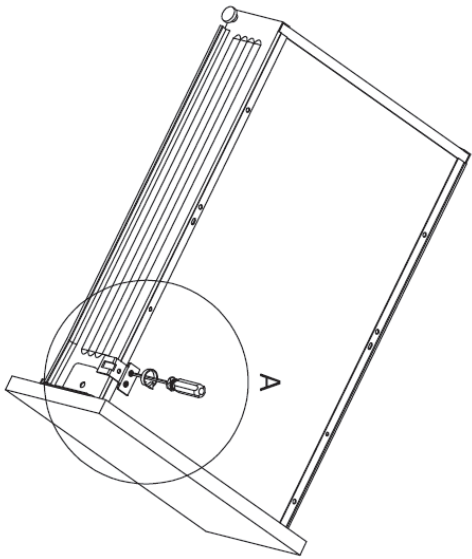


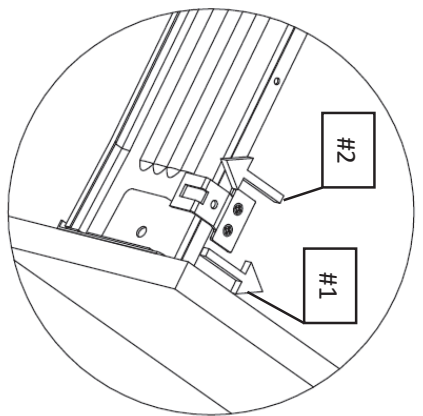
Advice on use



S-2-906-0472



A

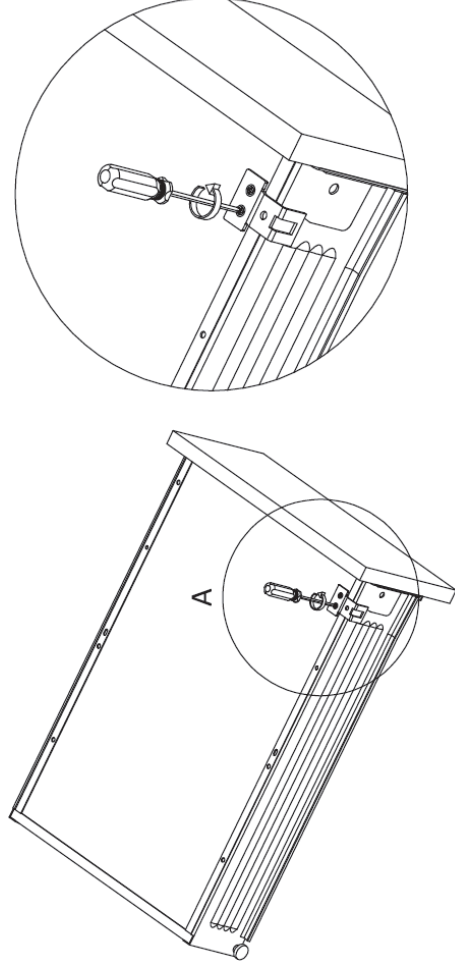


A

Setting the central lock

1. Loosen the screws (2).
2. Set the drawer:
 - #1 When sometimes is impossible to open the drawer with opened lock,
 - #2 When is possible to open the drawer with closed lock.
3. Tighten the screws (2).

Examine the product at least every 60 days, or more often as needed, for loose screws and joints. Do not use the product if it has been damaged in any way. If there is damage, evaluate the extent and tighten, adjust or replace screws as needed.



Horizontal and vertical setting the drawer

2.

1. Loosen the screw.
2. Set the drawer (After that close the drawers and check if every drawer fronts are matches itself).
3. Tighten the screw.

Pictures show two kind of drawers guide:

1.

