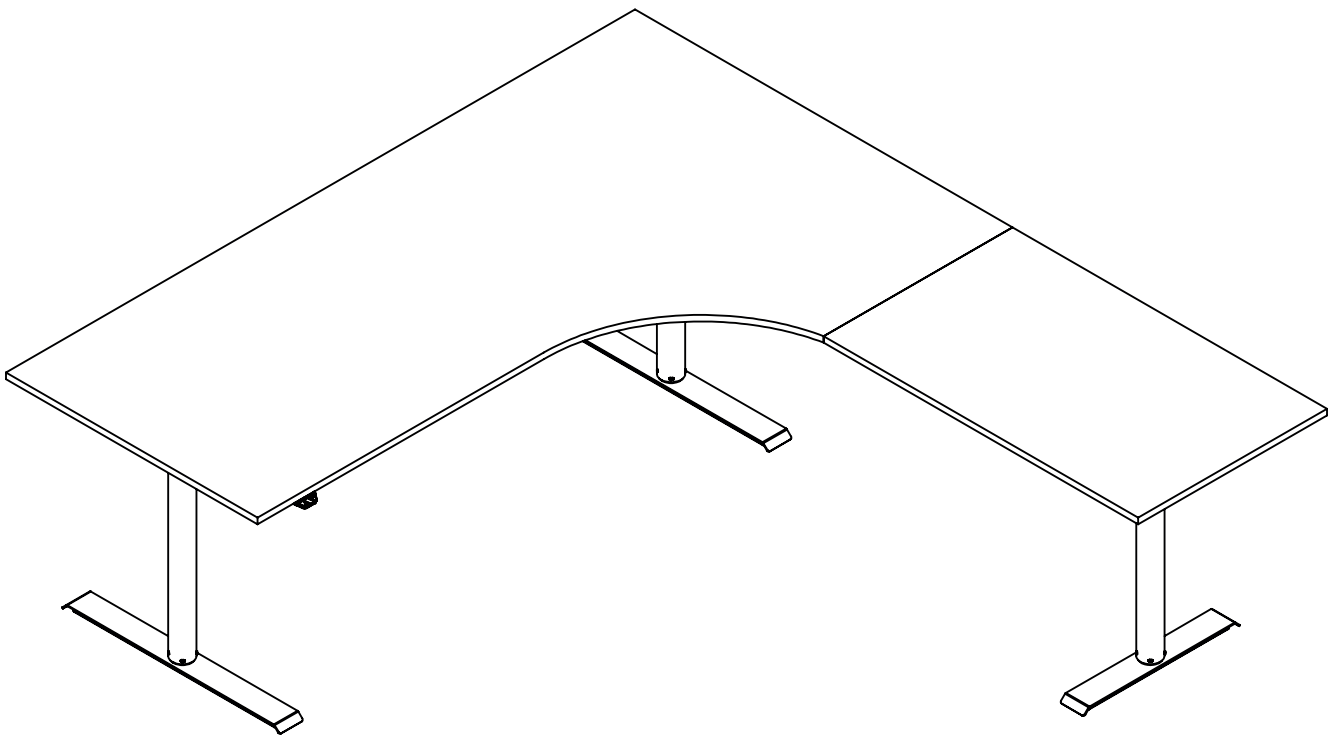
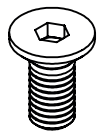


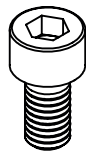
ERGOFUNK II



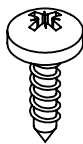
LANABDESIGN



A x 20
M6 x 14 mm



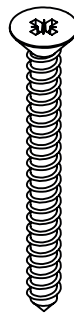
B x 12
M6 x 12 mm



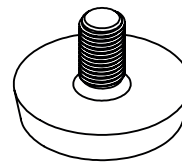
C x 45
5.0 x 16 mm



D x 2
3.5 x 16 mm



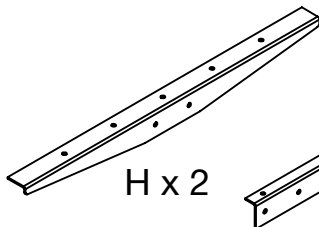
E x 2
4.5 x 46 mm



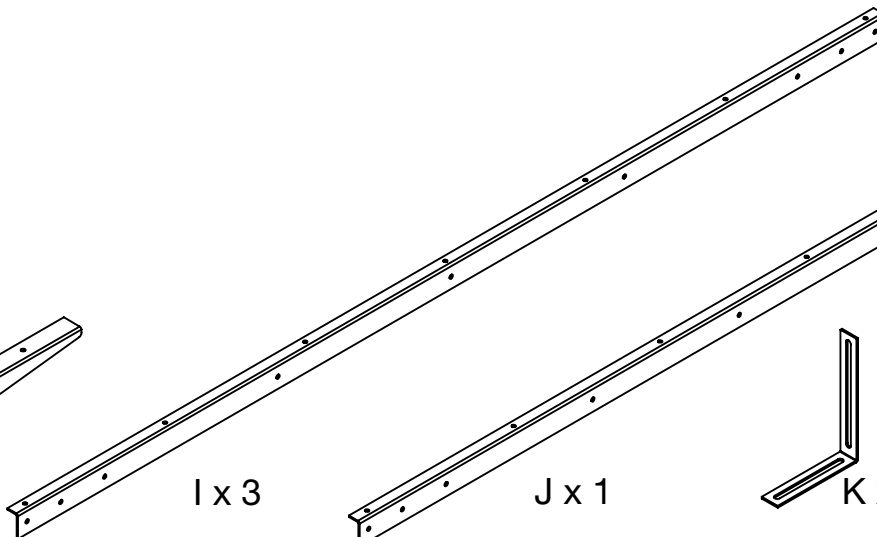
F x 6
M8 x 16 mm



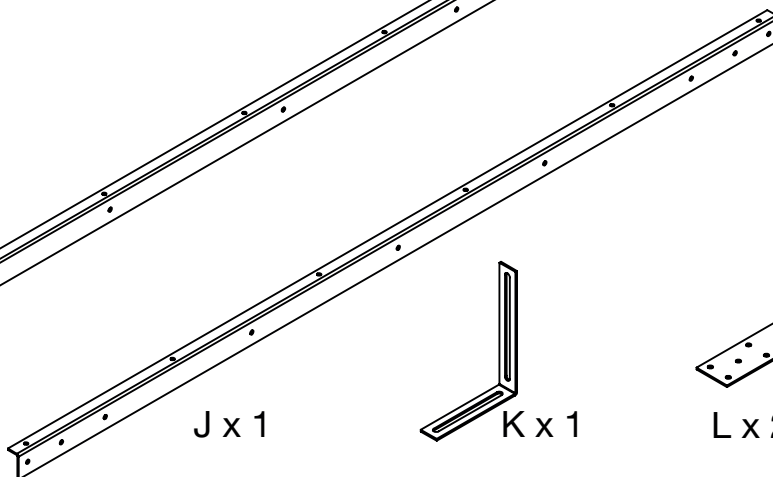
G x 2
M6



H x 2



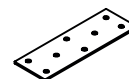
I x 3



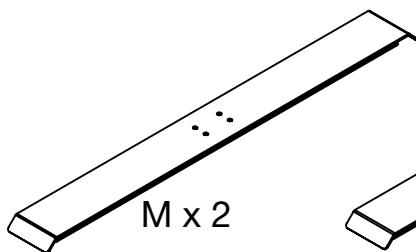
J x 1



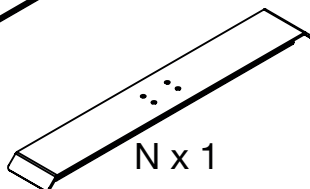
K x 1



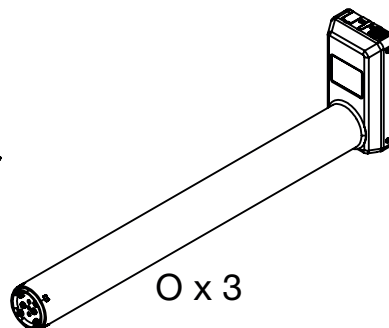
L x 2



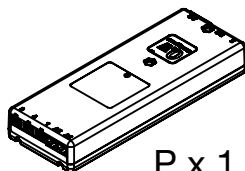
M x 2



N x 1

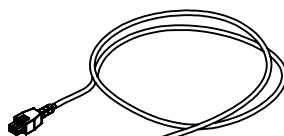


O x 3



P x 1

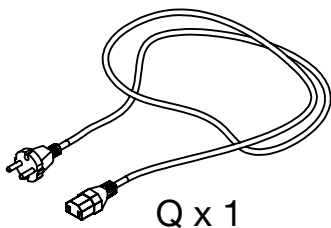
+



R x 1
2000 mm



T x 1

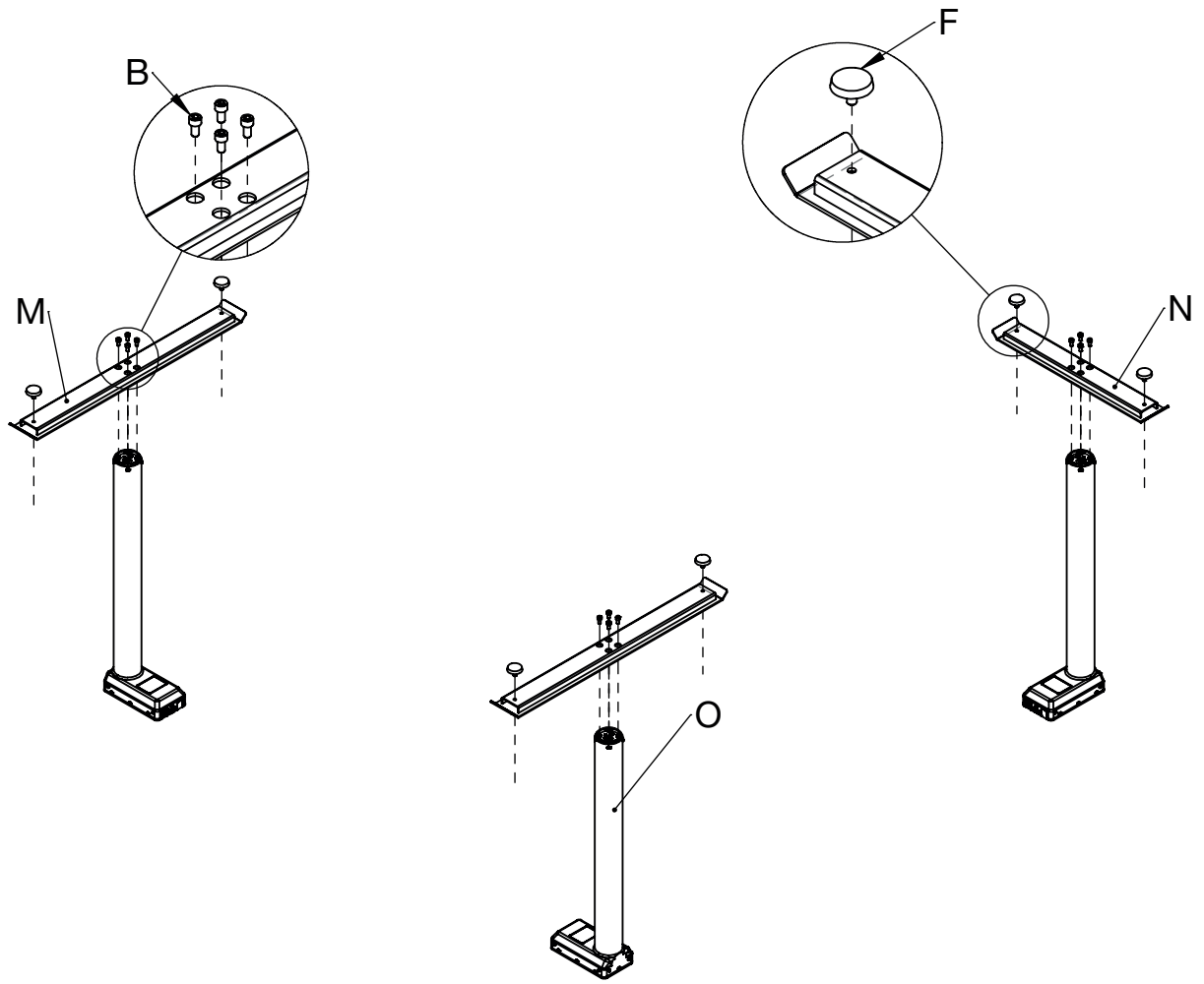


Q x 1



S x 2
1000 mm

1.



2.

